

## DS-2TD2136-10/15/25 Thermal Network Bullet Camera



Hikvision DS-2TD2136-10/15/25 Thermal Network Bullet Camera is applied to manufacture process supervision of pyrophoric materials in factories, fire-prevention purpose in forest, and so on.

### Smart Function (Thermal Imaging)

- Leading image processing technology: Adaptive AGC, DDE, 3D DNR, NETD < 50mk (0.05°C/32.09°F)
- Powerful behavior analysis algorithm: Line crossing, Intrusion, Audio exception, Region Entrance & Exit
- Reliable temperature exception alarm function
- Advanced fire detection algorithm

### Thermal Imaging Module Function

- 384\*288 resolution, high sensitivity sensor, support contrast adjustment
- Support shutter adjustment in various modes
- 3D DNR, 14 palettes of color adjustable, image detail enhancement
- Support mirror image, digital zoom X2, X4 and local output
- 10mm, 15mm, and 25mm Lens are optional



## Specifications

Parameter		Model	DS-2TD2136-10	DS-2TD2136-15	DS-2TD2136-25
		Thermal Network Bullet Camera			
Thermal Module	Image sensor	Vanadium Oxide Uncooled Focal Plane Arrays			
	Max. Resolution	384 × 288			
	Response waveband	8μm to 14μm			
	NETD	< 50mk(@25°C,F#=1.0)			
	Lens (focal length)	10mm	15mm	25mm	
	MRAD	1.70mrad	1.13mrad	0.68mrad	
	Field of View	36° × 27°	24° × 19°	15° × 11°	
	F number	1.0			
Network Integration	Main stream	50fps (384×288)			
	Sub stream	50fps (384×288)			
	Third stream	50fps (384×288)			
	Video compression	H.264/MJPEG/MPEG4, H.264+ encoding with Baseline/Main/High Profile			
	Audio compression	G.711u/G.711a/G.722.1/MP2L2/G.726/PCM			
	Protocols	IPv4/IPv6,HTTP,HTTPS,802.1x,Qos,FTP,SMTp,UPnP,SNMP,DNS,DDNS,NTP,RTSP,RTCP,RTP,TC P,UDP,IGMP,ICMP,DHCP,PPPoE,Bonjour			
	Simultaneous live view	Up to 20			
	User/Host level	Up to 32 users, 3 levels: Administrator, Operator, User			
	Security measures	User authentication (ID and PW), MAC address binding, HTTPS encryption, IEEE 802.1x access control, IP address filtering			
	Alarm input	2-ch inputs (0-5vDC)			
	Alarm output	2-ch relay outputs, alarm response actions configurable			
	Alarm action	SD recording/Relay output/Smart capture/FTP upload/Email linkage			
	Audio input	1 3.5mm Mic in/Line in interface. Line input: 2-2.4V[p-p], output impedance:1KΩ±10%			
	Audio output	Line level, impedance: 600Ω			
	Reset	1 Reset Button			
	Ethernet	1 RJ45 10M/100M Self-adaptive Ethernet interface			
	SD memory card	Built-in Micro SD card slot, support Micro SD/SDHC/SDXC card (up to 64G), support manual alarm recording			
	Analog video output	1.0V[p-p] / 75Ω, PAL(or NTSC), BNC			
	RS485 protocols	Half duplex; HIKVISION, PELCO-P, PELCO-D, self-adaptive			
	Application programming	Open-ended API, support ONVIF, PSIA, CGI, HIKVISION SDK and third-party management platform			
Client	iVMS-4200				
Web browser	IE7+, Chrome18+, Firefox5.0+, Safari5.02+				
General	Menu language	English			
	Power	POE+ (802.3at), 24VAC, 12VDC/3A, 8W (18W with De-icing Heater On)			
	Working temperature	-40 °C to 65 °C (-40 °F to 140 °F), 90% or less			
	Humidity				
	Protection level	IP66 TVS 6000V Lightning protection, surge protection, voltage transient protection			
	Dimensions	314mm×104mm×292.7mm (12.36"×4.09"×11.52")			
Weight	2kg (4.41lb)				

<https://www.eccamere.ro/supraveghere-video/camere-hikvision/camera-exterioara-lentila-15-0-hikvision-ds-2td2136-15/>

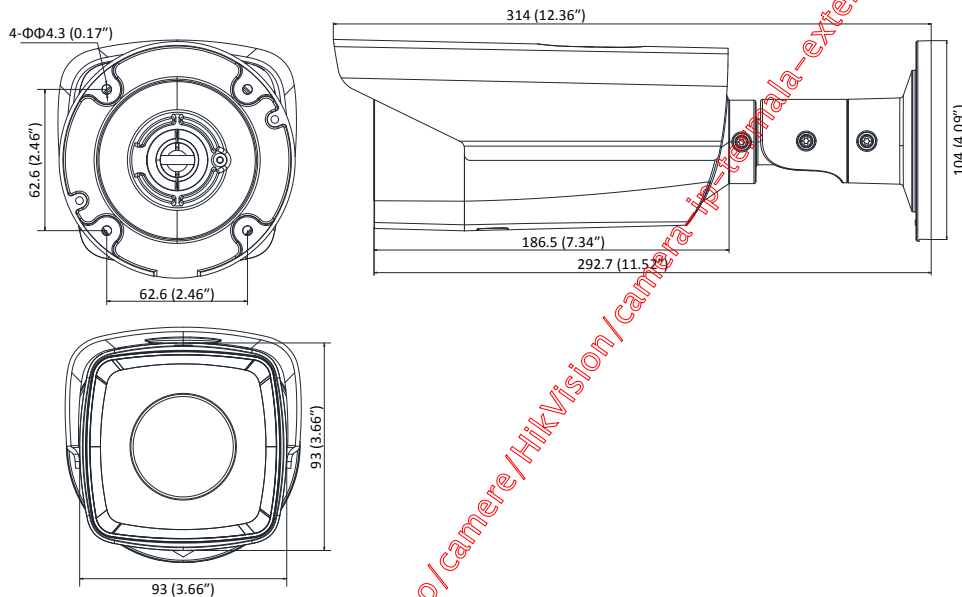
## Wide Range Coverage for Different Specifications

Lens (focal length)	10mm	15mm	25mm	35mm	50mm	75mm
Detection range (Vehicles)	902m	1353m	2255m	3157m	4510m	6765m
Detection range (Humans)	294m	441m	735m	1029m	1471m	2206m
Recognition range (Vehicles)	225m	338m	564m	789m	1127m	1691m
Recognition range (Humans)	74m	110m	184m	257m	368m	551m
Identification range (Vehicles)	113m	169m	282m	395m	564m	846m
Identification range (Humans)	37m	55m	92m	129m	184m	276m

## Order Models

DS-2TD2136-10; DS-2TD2136-15; DS-2TD2136-25

## Dimensions



Distributed by

### Headquarters

No.555 Qianmo Road, Binjiang District,  
Hangzhou 310051, China  
T +86-571-8807-5998  
overseasbusiness@hikvision.com

**Hikvision USA**  
T +1-909-895-0400  
sales.usa@hikvision.com

**Hikvision Italy**  
T +39-0438-6902  
info.it@hikvision.com

**Hikvision Singapore**  
T +65-6684-4718  
sg@hikvision.com

**Hikvision Europe**  
T +31-23-5542770  
saleseuro@hikvision.com

**Hikvision France**  
T +33(0)1-85-330-444  
info.fr@hikvision.com

**Hikvision Oceania**  
T +61-2-8599-4233  
salesau@hikvision.com

**Hikvision Middle East**  
T +971-4-8816086  
salesme@hikvision.com

**Hikvision Spain**  
T +34-91-737-16-55  
info.es@hikvision.com

**Hikvision Hong Kong**  
T +852-2151-1761

**Hikvision Russia**  
T +7-495-669-67-99  
saleru@hikvision.com

**Hikvision Poland**  
T +48-22-460-01-50  
poland@hikvision.com

**Hikvision Canada**  
T +1-909-895-0400  
sales.usa@hikvision.com

**Hikvision India**  
T +91-22-28469900  
sales@pramahikvision.com

**Hikvision UK**  
T +44-1628-9021-4  
support.uk@hikvision.com